

ML-65R | ML-75R

u s e r ' s m a n u a l



INSTALLER SERIES

by *MARTIN LOGAN*®

Register your warranty online at www.MartinLogan.com.

Content Check List	1	Installing the Security Stake and Cable . .	8
Safety Warnings	1	Frequently Asked Questions	9
WEEE Recycling	1	Troubleshooting	9
Cleaning and Protecting Your Investment.	2	Specifications	10
Speaker Placement	3	Warranty	11
Connections and Cables	4	Service	11
Connecting the Speakers	5		

Content Check List

You will find the following items enclosed for your new MartinLogan loudspeaker. Should you require assistance please call our service department at (785) 749-0133.

Security Stake and Cable

Safety Warnings and WEEE Recycling



The lightning bolt flash with arrowhead symbol within an equilateral triangle is intended to alert the user to the presence of uninsulated “dangerous voltage” within the product’s enclosure that may be of sufficient magnitude to constitute a risk of electric shock.



The exclamation point within an equilateral triangle is intended to alert the user to the presence of important operating and maintenance (servicing) instructions in the literature accompanying the appliance.



WARNING!

- Refer servicing to a qualified technician.
- Turn amplifier off should any abnormal conditions occur.
- Do not drive speaker beyond its rated power.

WEEE Recycling



In accordance with the European Union WEEE (Waste Electrical and Electronic Equipment) directive effective August 13, 2005, we would like to notify you that this product may contain regulated materials which upon disposal, according to the WEEE directive, require special reuse and recycling processing.

For this reason MartinLogan has arranged with our distributors in European Union member nations to collect and recycle this product at no cost to you. To find your local distributor please contact the dealer from whom you purchased this product, email info@martinlogan.com or visit the distributor locator at www.martinlogan.com.

Please note, only this product itself falls under the WEEE directive. When disposing of packaging and other related shipping materials we encourage you to recycle these items through the normal channels.

Cleaning and Protecting Your Investment

Your new all-weather speakers are constructed from durable materials to provide years of trouble free outdoor listening enjoyment (even under extreme weather conditions).

To clean the exterior of your speakers use a soft, damp cloth or gentle spray from a garden hose.

When considering placement we urge you to consider the following:

- Do not use a pressure washer to clean the speaker.
- Do not spray directly through the grill into the drivers.
- Do not allow speaker to come into contact with lawn and garden chemicals or strong or abrasive cleaning chemicals.
- Do not place speaker in the discharge from a sprinkler.
- Do not place speaker in a location where they will be splashed with pool water.
- Do not place speaker in direct sunlight if at all possible.

When connecting your speaker to electronics we urge you to consider the following:

- Use an amplifier that approximately matches the speaker's specified power handling.
- To avoid damage, turn down the volume if the speaker sounds like it is distorting, sounds harsh, or the bass begins to break up.
- Tone controls and equalizers may increase the likelihood of distortion, especially at high volumes. Use these setting sparingly.

Security Stake and Cable (optional use)

The security stake and cable (included) may be used to inhibit theft and reduce the chance of unauthorized movement of your speakers. See "Installing the Security Stake and Cable" for more information.

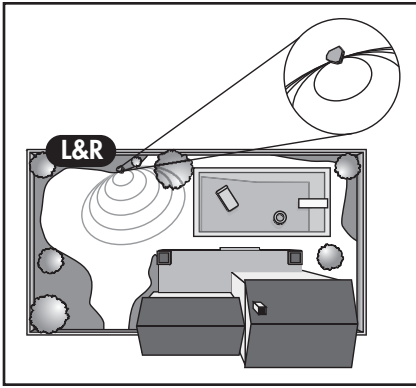


Figure 1. 'Left & Right' stereo from a single speaker

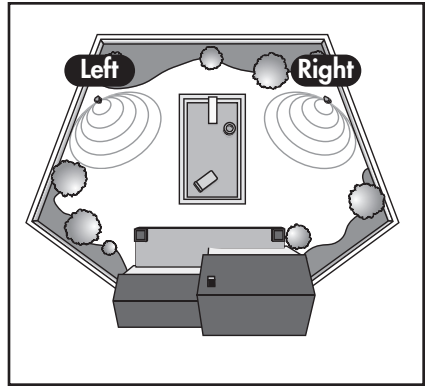


Figure 2. Two speaker traditional 2-channel stereo

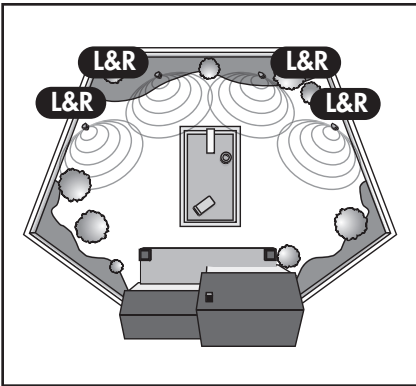


Figure 3. Distributed multi-speaker 'Left & Right' stereo from a single speaker

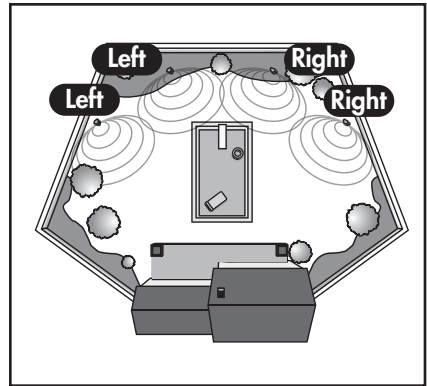


Figure 4. Distributed multi-speaker traditional 2-channel stereo

Speaker Placement

The self-draining design of your speakers allow installation on up to a 20° grade.

The durability of these speakers allows for a wide variety of installation options, including:

- On the ground
- In a garden bed
- On a deck/patio
- Around a pool

Sound Coverage

With their dual tweeter design these speakers provide wide dispersion and placement flexibility. At a reasonable listening level, sound from one speaker will cover a wide dispersion arc of up to 20 feet (6 meters) in front of the speaker.

Placement: 'Left & Right' stereo from a single speaker (figure 1).

Ideal in small areas not suited to a stereo pair of speakers. The speaker is connected to both Left and Right amplifier channels. Place the speaker so that the sound is "aimed" toward the main listening area.

Placement: Two speaker traditional 2-channel stereo (figure 2).

Ideal for stereo coverage in small to medium sized areas. One speaker is connected to the left amplifier channel and the other to the right channel (with each speaker wired for mono). Place the speakers about 12–16 feet (3.5–5 meters) apart to achieve good stereo imaging throughout your listening area.

Placement: Distributed multi-speaker 'Left & Right' stereo from a single speaker (figure 3).

In larger or unusually shaped areas, multiple speakers (each wired for "Left plus Right" channel sound) may be used to eliminate the sound imbalances that occur with stereo sound when people move around or are seated closer to one speaker than the other.

Placement: Distributed multi-speaker traditional 2-channel stereo (figure 4).

In larger areas multiple speakers (each wired for Mono) can be used in a 'flanked' stereo placement to provide ultra-wide stereo coverage and broader imaging.

Connections and Cables

Using Multiple Speakers on One Amplifier Channel

If you plan to use multiple speakers in series on a single amplifier channel, please remember to check your amplifiers minimum safe speaker impedance load (ohms).



ML-65r and ML-75r speakers are rated at 8-ohms per channel when running as "Left & Right". Wired in mono to run as a "traditional speaker" they are rated at 4-ohms. Additional speakers connected to a single amplifier channel will drop nominal impedance. To calculate the ohm load divide the ohm rating of a single channel by number of speakers (i.e. 8-ohm rating / 4 speakers = 2-ohm load OR 4-ohm rating / 3 speakers = 1.3-ohm load). Determine if your amp can handle the load and plan accordingly.

Notes About Speaker Cable

Before proceeding, carefully read the precautions below.



Before running speaker cable through walls, under walkways, patios, etc., check local building codes or contact a qualified installer (see your dealer). Before digging, verify location of gas lines and buried cables with local utility companies.

Information on running speaker cable through walls, under walkways, patios, etc. is not included in this manual. If you are not comfortable with this sort of installation, contact a qualified installer (see your dealer).

Preparing the Cable

Always use high-quality, moisture-resistant speaker cable (see your dealer).

1. Measure and mark path from amplifier to speakers to determine length of cables.
2. Add 2–3 feet (0.6–0.9 meters) extra to allow some play when installing.
3. Select correct gauge using the chart below.
4. If the cable is to be run underground it must be rated for direct burial and/or enclosed in PVC pipe to prevent deterioration over time (see your dealer).
5. Cut cable to required length and strip outer casing about 2 inches (5cm) on both ends.
6. Strip inner insulation on both wires back about ½-inch (1.25cm) on both ends.

The following chart identifies the minimum gauge requirements for cable by length.

Minimum Wire Gauge Requirements	
Length	Gauge/Diameter
Less than 15 feet (4.5 m)	16 awg / 0.05 inch (1.3 mm)
Less than 30 feet (9 m)	14 awg / 0.06 inch (1.6 mm)
More than 30 feet (9 m)	12 awg / 0.08 inch (2 mm)

Connecting the Speakers



WARNING! Turn your amplifier off before making or breaking any signal connections. This will avoid damage which could result from accidental shorting of speaker cables.

Test your speakers before installing the cables! Before permanently installing cable in your landscaping, place your speakers in the desired location and listen for:

- **Volume:** Walk around the area and ensure that sound is coming from each speaker, and that it is balanced throughout the listening area.

- **'Left & Right' stereo from a single speaker (figure 1):** When sitting in the main listening area, sound should be spacious and clear.
- **Multi-speaker Distributed multi-speaker 'Left & Right' stereo from a single speaker (figure 3):** Walk around your entire area. Adjust position of speakers for uniform sound coverage.
- **Two speaker traditional 2-channel stereo (figure 2) and distributed multi-speaker traditional 2-channel stereo (figure 4):** When sitting in the main listening area, sound should be spacious and clear. Fine-tune placement to achieve optimal imaging. This may involve moving speakers a small amount in one direction or the other, or turning speakers slightly to point toward the listening area.

If a speaker is not working correctly, refer to the “Troubleshooting” on page 10 of this manual, otherwise finalize connections.

NOTE: Connect wires with wire nuts (not included) following wire nut manufacturer’s instructions. Fill nuts with waterproof silicone sealant (not included) to prevent deterioration over time — do this only after testing speaker placement.

Connecting 2-Channels of Amplification (Left & Right) to a Single Speaker (figure 5)

In this connection method, 2-channels of amplification (left-channel and right-channel) are attached to a single speaker to achieve stereo sound.

1. Connect one speaker channel at a time to your receiver/amplifier. Connect the right (+) amplifier terminal to the right red (+) speaker input wire and the right (-) amplifier terminal to the right black (-) speaker input wire.
2. Connect the left (+) amplifier terminal to the left red (+) speaker input wire and the left (-) amplifier terminal to the left black (-) speaker input wire.

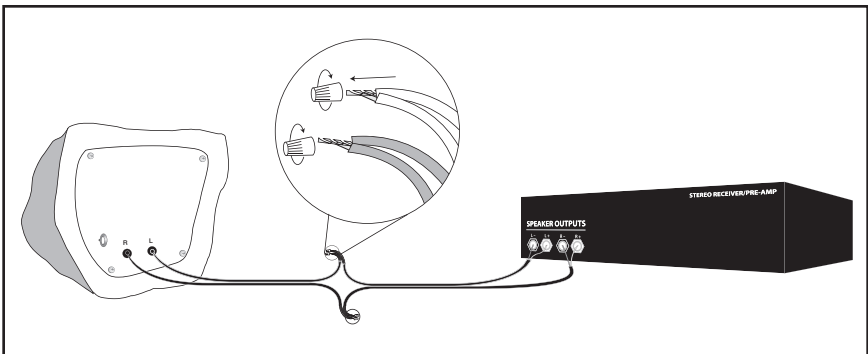


Figure 5. Connecting 2-Channels of Amplification (Left & Right) to a Single Speaker

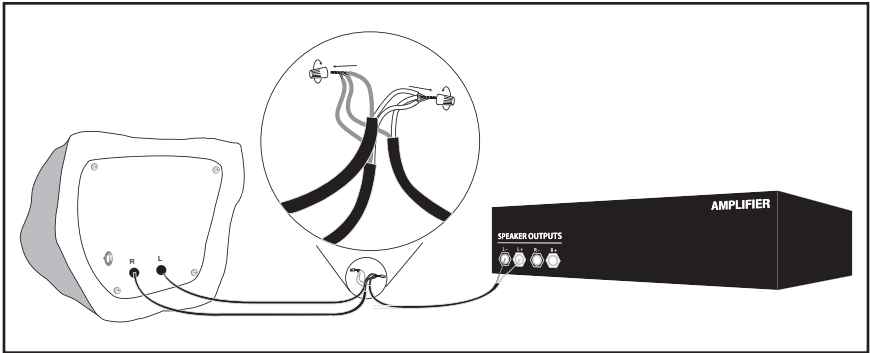


Figure 6. Connecting 1-Channel of Amplification (Left OR Right) to a Single Speaker

Optional:

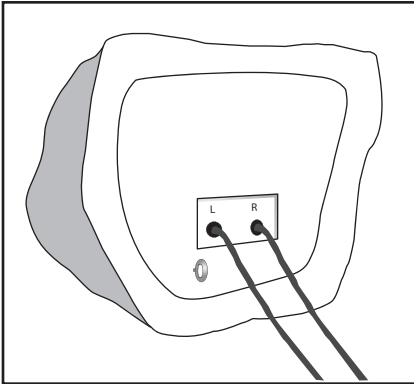


Figure 7a. Lay the speaker on its back.

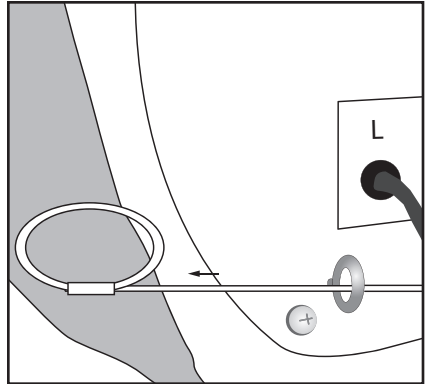


Figure 7b. Feed cable through eyelet.

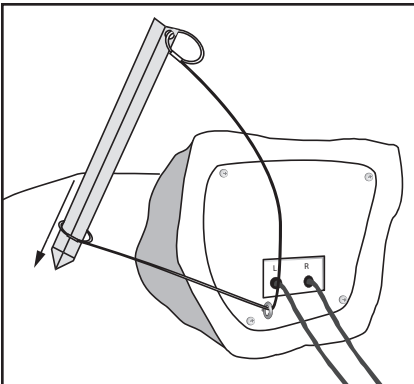


Figure 7c. Feed stake through cable.

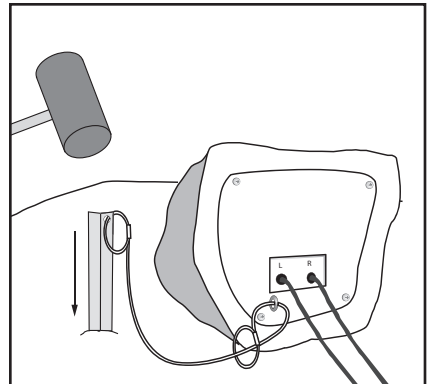


Figure 7d. Drive the stake into the ground.

3. Twist matched wires together, then cap each bundle with a wire nut.
4. Fill wire nuts with silicone.
5. Speaker cable can now be buried, where burying is required.

Connecting 1-Channel of Amplification (Left OR Right) to a Single Speaker (figure 6)

In this connection method, the input wires from the speakers will be joined together so that the entire speaker can be driven from one channel of amplification (Left OR Right).

1. Connect the (+) amplifier terminal to both the right red AND left red (+) speaker input wires.
3. Connect the (-) amplifier terminal to both the right black AND left black (-) speaker input wires.
4. Twist matched wires together, then cap each bundle with wire a nut.
5. Fill wire nuts with silicone.
6. Speaker cable can now be buried, where burying is required.

Installing the Security Stake and Cable (optional)

1. Without moving the speaker out of position, lay the speaker on its back so that the bottom is exposed (figure 7a).
2. Feed the looped end of the security cable (the end without spike attached) through the factory-installed eyelet on the speaker's bottom (figure 7b).
3. Feed the spike through the loop in the cable (figure 7c).
3. Pull gently on the cable until it is snug around the eyelet.
4. Using a rubber mallet, drive the security stake into the ground close to where the speaker will sit. It must be completely under the surface of the ground. Give cable a gentle tug to make sure stake is firmly planted in the ground (figure 7d).

Frequently Asked Questions

How do I clean my speaker? See “Cleaning and Protecting Your Investment” on page 3 of this manual.

What size amplifier should I use? We recommend an amplifier rated within the suitable amplifier range of your speaker.

Could you suggest a list of suitable electronics and cables that would be ideal for MartinLogan speakers? The area of electronics and cable choice is probably the most common type of question that we receive. It is also the most subjective. We have repeatedly found that brands that work well in one setup will drive someone else nuts in another. We use many brands with great success. Again, we have no favorites; we use electronics and cables quite interchangeably. We would suggest listening to a number of brands—and above all else—trust your ears. Dealers are always the best source for information when purchasing additional audio equipment or cables and will be well versed in the subject of special safety requirements for in-wall cable.

Will exposure to sunlight affect the life or performance of my speakers? We recommend that you not place any loudspeaker in direct sunlight. The ultraviolet (UV) rays from the sun can cause deterioration of speaker cones, etc. For installation of an all-weather speakers we recommend as little direct sunlight as an installation will allow.

Troubleshooting

No Output

- Check that all your system components are turned on, not muted, and that your balance control (if applicable) is set correctly.
- Check to make sure your power outlet at the wall is working.
- Check your power cords, speaker wires, and interconnecting cables.
- Check to make sure no headphones are plugged in.
- Swap speaker wires at your amplifier with those of a speaker that is functioning correctly. If the lack of output moves to a different speaker the problem could be with other equipment in your system (i.e. amp, pre-amp, processor, etc.)
- Try hooking up a different set of speakers. If the lack of output moves to a different speaker the problem could be with other equipment in your system (i.e. amp, pre-amp, processor, etc.)

Lack of Bass or Poor Imaging

- Check your speaker wires. Is the polarity correct — (+) to (+) and (-) to (-)?

Specifications*

Speaker Model	ML-65r	ML-75r
System Freq. Response . .	66–20,000 kHz \pm 2 dB	63–20,000 kHz \pm 2 dB
Low-Frequency Extension .	44 Hz (DIN)**	42 Hz (DIN)**
Sensitivity	89dB	90dB
Impedance		
Stereo Mode	Compatible with 8 ohms	Compatible with 8 ohms
Mono Mode	Compatible with 4 ohms	Compatible with 4 ohms
Crossover Frequency. . . .	3,000 kHz	2,500 kHz
High-Frequency Driver . .	Two 1" (2.5cm) titanium dome	Two 1" (2.5cm) titanium dome
Low-Frequency Driver. . .	6 1/2" (16.5cm) mineral-filled polypropylene cone with dual voice coil.	7 1/2" (19cm) mineral-filled polypropylene cone with dual voice coil.
Inputs	Two pair pre-installed wires	Two pair pre-installed wires
Suitable Amplifier Range		
Stereo Mode	15–100 watts	15–120 watts
Mono Mode	15–55 watts	15–60 watts
Maximum Power Handling		
Stereo Mode	70 watts	80 watts
Mono Mode	35 watts	40 watts
Weight.	12.1 lbs. each (5.5 kg)	17 lbs. each (7.7 kg)
Size (h x w x d)	12 3/16" x 11 1/8" x 10 5/8" (31 x 28.2 x 27cm)	15 3/16" x 13 3/8" x 13" (38.5 x 34 x 33cm)

*Specifications are subject to change without notice.

**With typical program source, provided the amplifier clips no more than 10% of the time.

Warranty

MartinLogan offers online warranty registration at www.martinlogan.com.

Your speaker is provided with an automatic Limited 90 Day Warranty coverage.

You have the option, at no additional charge, to receive a Limited 2 Year Warranty coverage. To obtain the Limited 2 Year Warranty coverage register your speakers at www.martinlogan.com. Save a copy of your dealer receipt as it may be requested if service is required.

MartinLogan may not honor warranty service claims unless we have a completed Warranty Registration on file at www.MartinLogan.com!

Service

Should you be using your MartinLogan product in a country other than the one in which it was originally purchased, we ask that you note the following:

- 1 The appointed MartinLogan distributor for any given country is responsible for warranty servicing only on units distributed by or through it in that country in accordance with its applicable warranty.
- 2 Should a MartinLogan product require servicing in a country other than the one in which it was originally purchased, the end user may seek to have repairs performed by the nearest MartinLogan distributor, subject to that distributor's local servicing policies, but all cost of repairs (parts, labor, transportation) must be borne by the owner of the MartinLogan product.
- 3 If, after owning your speakers for six months, you relocate to a country other than the one in which you purchased your speakers, your warranty may be transferable. Contact MartinLogan for details.

Notes

INSTALLER SERIES

by **MARTIN LOGAN**[®]

Lawrence, Kansas, USA tel 785.749.0133 www.martinlogan.com

©2011 MartinLogan. All rights reserved.

Rev. #041511

ML-65R | ML-75R

guide de l'utilisateur



SÉRIE INSTALLER

par *MARTIN LOGAN*®

Inscrivez votre garantie en ligne à l'adresse www.MartinLogan.com.

Liste de vérification du contenu	15	Installation du piquet et du câble	22
Avertissements de sécurité	15	de sécurité	23
Recyclage WEEE	15	Foire aux questions	23
Nettoyer et protéger votre investissement	16	Dépannage	23
Positionnement des enceintes	17	Spécifications	24
Raccords et câbles	18	Garantie	25
Raccordements des enceintes	19	Service	25

Liste de vérification du contenu

Vous trouverez les éléments suivants dans la boîte pour votre nouvelle enceinte MartinLogan. Si vous avez besoin d'aide, veuillez appeler notre département de service en composante le 785-749-0133.

__ Piquet et câble de sécurité

Avertissements de sécurité et recyclage WEEE



Le symbole de l'éclair avec une pointe en forme de flèche, dans un triangle équilatéral, avertit l'utilisateur de la présence d'une « tension dangereuse » potentielle près du produit qui peut être suffisante pour constituer un risque de décharge électrique.



Le point d'exclamation dans un triangle équilatéral avertit l'utilisateur de la présence de directives importantes en matière de fonctionnement et d'entretien (service) dans les documents qui accompagnent l'appareil.



AVERTISSEMENT!

- Consultez un technicien compétent pour les réparations.
- Fermez l'amplificateur si une condition anormale survient.
- Ne poussez pas l'enceinte au-delà de sa puissance nominale.

Recyclage WEEE



En vertu de la directive WEEE de l'Union européenne (directive sur les déchets électriques et électroniques) entrée en vigueur le 13 août 2005, nous vous avisons que ce produit pourrait contenir des matériaux réglementés dont l'élimination doit faire l'objet de procédures de réutilisation et de recyclage particulières.

À cette fin, Martin Logan a demandé à ses distributeurs dans les pays membres de l'Union européenne de reprendre et de recycler ce produit gratuitement. Pour trouver le distributeur le plus près, communiquez avec le revendeur du produit, envoyez un courriel à info@martinlogan.com ou consultez le site Web.martinlogan.com.

Notez que seul le produit est régi par la directive WEEE. Nous vous encourageons à recycler les matériaux d'emballage et autres matériaux d'expédition selon les procédures normales.

Nettoyer et protéger votre investissement

Vos nouvelles enceintes extérieures sont fabriquées avec des matériaux durables qui vous fourniront des années de fonctionnement extérieur sans tracas (même lors de conditions climatiques extrêmes).

Pour nettoyer l'extérieur des enceintes, utilisez un linge doux et humide ou le jet délicat d'un boyau de jardin.

Lorsque vous pensez au positionnement, nous vous recommandons fortement ce qui suit :

- Ne pas utiliser de machine à pression pour nettoyer l'enceinte.
- Ne pas projeter de jet d'eau directement à travers la grille vers les éléments acoustiques.
- Éviter tout contact entre l'enceinte et les produits chimiques pour la pelouse ou le jardin ou avec des produits nettoyants chimiques forts ou abrasifs.
- Ne pas positionner les enceintes en ligne directe avec un arroseur fixé au sol.
- Ne pas mettre les enceintes à un endroit où elles pourraient être éclaboussées par l'eau d'une piscine
- Autant que possible, éviter de placer les enceintes en plein soleil.

Lorsque vous raccordez l'enceinte à des appareils électroniques, nous vous recommandons ce qui suit :

- Utiliser un amplificateur qui correspond approximativement à la puissance admissible de l'enceinte..
- Pour éviter les dommages, baisser le volume si le son de l'enceinte est déformé ou dur, ou si les graves commencent à couper..
- Les commandes de tonalité et les égalisateurs peuvent accroître les possibilités de déformation du son, particulièrement à volume élevé. Utiliser ces commandes avec parcimonie.

Piquet et câble de sécurité (utilisation facultative)

Le piquet et le câble de sécurité (inclus) peuvent être utilisés pour prévenir le vol et le déplacement non autorisé des enceintes. Voir la section intitulée « Installation du piquet et du câble de sécurité » pour obtenir de plus amples renseignements.

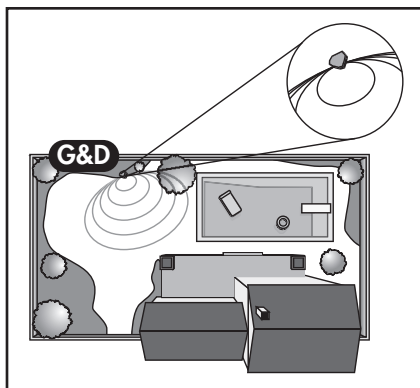


Figure 1. Stéréo « gauche et droit » d'une seule enceinte

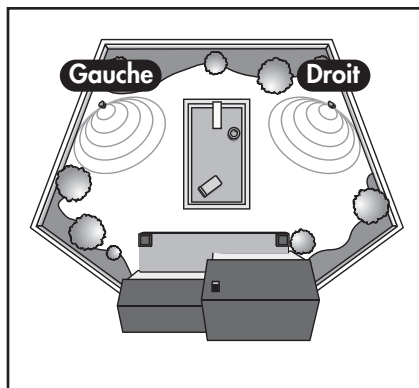


Figure 2. Deux enceintes stéréo 2-canaux traditionnels

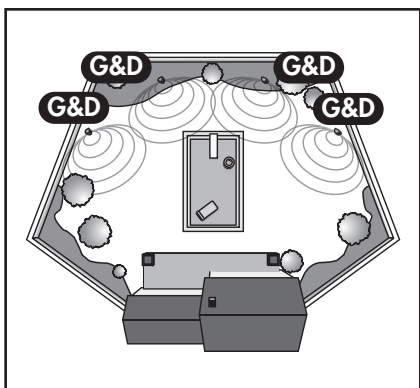


Figure 3. Couverture distribuée à enceintes multiples, canaux gauche et droit

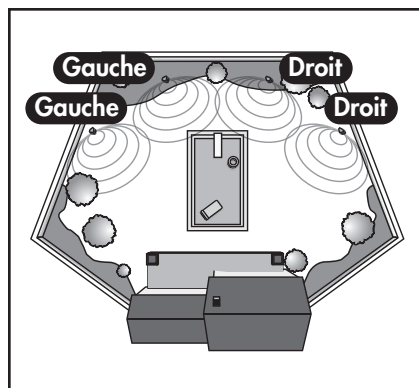


Figure 4. Couverture distribuée traditionnelle à enceinte multiple, 2 canaux

Positionnement des enceintes

La conception auto-drainante de vos enceintes permet de les installer dans une pente pouvant aller jusqu'à 20 degrés.

La durabilité de ces enceintes permet une grande variété d'options d'installations, notamment:

- Sur le sol
- Sur une planche de jardin
- Sur une terrasse
- Autour d'une piscine

Couverture sonore

Avec leur conception à haut-parleur d'aigus double, ces enceintes fournissent une large dispersion et une grande souplesse de positionnement. À un niveau d'écoute raisonnable, le son d'une enceinte couvrira un large arc de dispersion pouvant atteindre 20 pieds (6 mètres) devant l'enceinte.

Positionnement : Stéréo « gauche et droit » d'une seule enceinte (figure 1).

Configuration idéale dans les espaces qui se prêtent mal à deux enceintes en stéréo. L'enceinte est raccordée aux canaux Gauche et Droit de l'amplificateur. Positionner l'enceinte de façon qu'elle pointe vers la principale aire d'écoute.

Positionnement : Deux enceintes stéréo 2-canaux traditionnels (figure 2).

Configuration idéale dans les espaces petits ou de dimensions moyennes. Chaque enceinte est raccordée à un canal de l'amplificateur - une enceinte au canal Gauche et l'autre au canal Droit (raccordées en mode mono). Pour obtenir une image stéréo dans toute l'aire d'écoute, positionner les enceintes à bonne distance l'une de l'autre. Un espacement de 3,5 m à 5 m (12 pi à 16 pi) devrait offrir une bonne couverture sonore.

Positionnement : Couverture distribuée à enceintes multiples, canaux gauche et droit (figure 3).

Dans les espaces plus grands ou de forme irrégulière, l'utilisation de plusieurs enceintes (chacune raccordée aux canaux Gauche+Droit) permet d'éliminer le déséquilibre dans la couverture stéréo qui peut être perçu par des personnes assises plus près d'une enceinte que de l'autre.

Positionnement : Couverture distribuée traditionnelle à enceinte multiple, 2 canaux (figure 4).

Dans les espaces plus grands, l'utilisation plusieurs enceintes (chacune raccordée en mode mono) disposées de chaque côté de l'espace peut fournir une couverture et une image sonore encore plus vastes.

Raccords et câbles**Utilisation de plusieurs enceintes sur un canal de l'amplificateur**

Si vous prévoyez d'utiliser plusieurs enceintes en série sur un canal de l'amplificateur, n'oubliez pas de vérifier la charge d'impédance (ohms) minimale sécuritaire pour les enceintes de votre amplificateur.



Les enceintes ML-65r et ML-75r sont classées à 8-ohms par canal lorsqu'elles fonctionnent en tant que « Gauche et Droit ». Lorsqu'elles sont raccordées en mono pour fonctionner à titre « d'enceinte traditionnelle », elles sont classées à 4-ohms. Les enceintes additionnelles raccordées à un seul canal d'amplificateur feront baisser l'impédance nominale. Pour calculer la charge en ohm, divisez la charge nominale en ohm d'un seul canal par le nombre d'enceintes (c.-à-d. charge nominale de 8-ohms / 4 enceintes = charge de 2-ohms OU charge de 4-ohms / 3 enceintes = charge de 1,3-ohm). Déterminez si votre amplificateur peut supporter la charge et planifiez en conséquence.

Remarques au sujet des câbles d'enceinte

Avant de commencer, lisez attentivement les consignes de sécurité ci-dessous.



Avant de faire passer les câbles de raccordement d'enceinte dans des murs, sous des allées, des terrasses, etc., consulter les exigences du code du

bâtiment local ou communiquer avec un installateur qualifié (consulter le revendeur). Avant de creuser pour installer des câbles, vérifier auprès des services publics locaux l'emplacement de conduites de gaz et de câbles électriques.

Le présent manuel ne fournit pas d'information sur l'installation de câbles à travers des murs, sous des allées ou des terrasses, etc. En cas d'incertitude concernant ce type d'installation, communiquer avec un installateur qualifié (consulter le revendeur).

Préparation du câble

Toujours choisir des câbles de haute qualité résistant à l'humidité (consulter le revendeur).

1. Mesurer et jalonner le parcours allant de l'amplificateur aux enceintes pour déterminer la longueur de câble nécessaire.
2. Ajouter environ de 2 à 3 pieds (de 0,6 à 0,9 mètre) à cette longueur pour être certain d'avoir assez de câble lors de l'installation.
3. Choisir le bon calibre de câble à l'aide du tableau ci-dessous.
4. Si le câble est installé sous terre, il doit être coté pour enfouissement direct et/ou engainé dans un tube en PVC pour en prévenir la détérioration au fil du temps (consulter le revendeur).
5. Couper la bonne longueur de câble. À l'aide d'un dénudefil, retirer la gaine extérieure du câble sur une longueur d'environ 5 cm (2 po) à chaque extrémité.
6. Retirer l'isolant aux deux extrémités sur une longueur d'environ 1,25 cm (1/2 po).

Le tableau ci-dessous indique le calibre minimum pour différentes longueurs de câble.

Calibre minimum nécessaire	
Longueur	Calibre/diamètre
Moins de 15 pieds (4,5 m)	16 awg / 0,05 inch (1,3 mm)
Moins de 30 pieds (9 m)	14 awg / 0,06 pouce (1,6 mm)
Plus de 30 pieds (9 m)	12 awg / 0,08 pouce (2 mm)

Raccordement des enceintes



MISE EN GARDE! Éteindre l'amplificateur avant de raccorder les enceintes. Ceci évitera les dommages pouvant résulter d'un court-circuit accidentel des câbles des enceintes.

Testez vos enceintes avant d'installer les câbles! Avant d'installer les câbles de façon permanente, placez les enceintes à l'emplacement souhaité et vérifiez les éléments suivants :

- **Volume :** Circuler dans l'aire d'écoute et vérifier si chaque enceinte produit un signal et que la distribution de ce dernier est uniforme dans toute l'aire d'écoute.
- **Couverture large à une seule enceinte, canaux Gauche+Droit (figure 1):** S'asseoir dans la principale aire d'écoute et vérifier que le signal est vaste et clair.
- **Couverture distribuée à enceintes multiples, canaux Gauche+Droit (figure 3):** Circuler dans toute l'aire d'écoute. Ajuster la position des enceintes de façon à obtenir la couverture la plus uniforme possible.
- **Couverture stéréophonique traditionnelle à deux enceintes (Fig. 2) et couverture stéréophonique à enceintes multiple (Fig. 4)** S'asseoir dans la principale aire d'écoute et vérifier que le signal est vaste et clair. Ajuster le positionnement des enceintes pour obtenir la meilleure image sonore possible. Pour ce faire, déplacer les enceintes sur de courtes distances vers un côté, puis vers l'autre, ou tourner les enceintes légèrement vers l'aire d'écoute.

Si l'enceinte ne fonctionne pas correctement, consulter la Section « Dépannage ». Sinon, procéder au raccordement définitif des enceintes.

REMARQUE : En suivant les instructions du fabricant, et après avoir vérifié le bon positionnement des enceintes, utiliser des serre-fils (non inclus) pour raccorder les fils. Les remplir ensuite de mastic en silicone à l'épreuve de l'eau (non inclus) pour prévenir la détérioration des raccords.

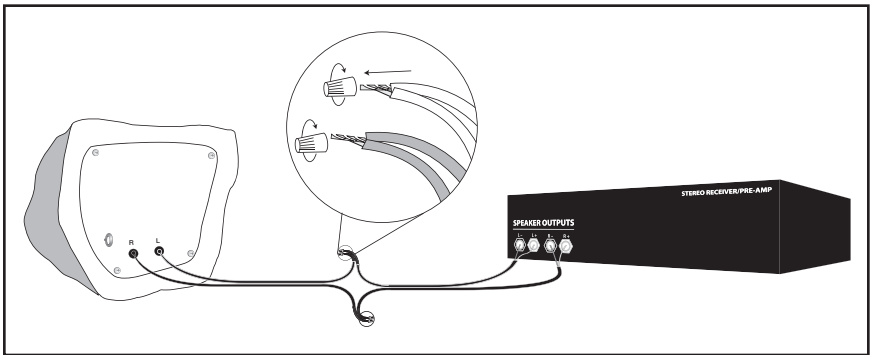


Figure 5. Raccorder 2-canaux d'amplification (Gauche et Droit) à une seule enceinte

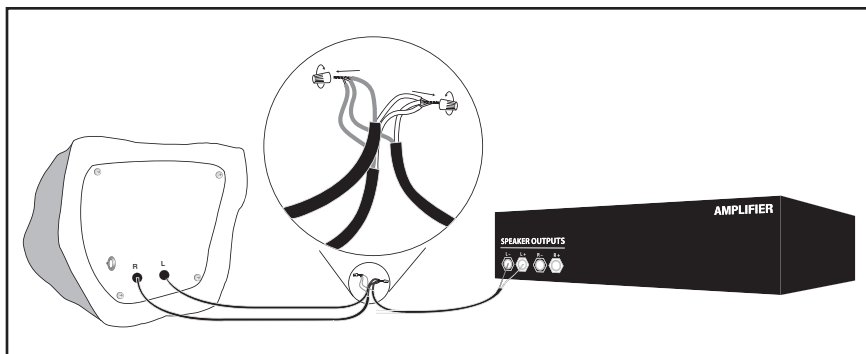


Figure 6. Raccorder 1-canal d'amplification (Gauche OU Droit) à une seule enceinte

Optional:

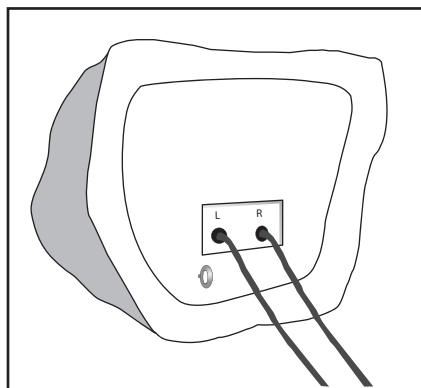


Figure 7a. Déposer l'enceinte sur le dos

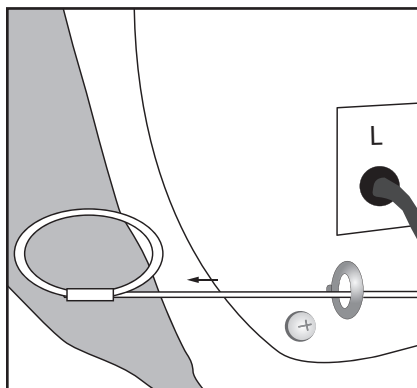


Figure 7b. Passer le câble dans l'œillet

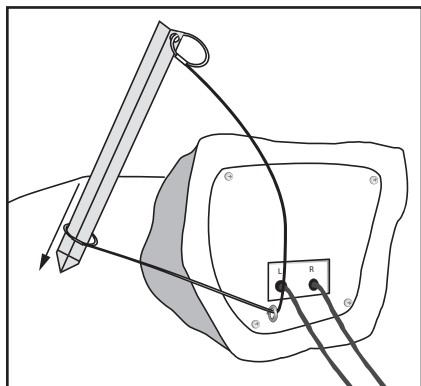


Figure 7c. Passer le piquet dans le câble

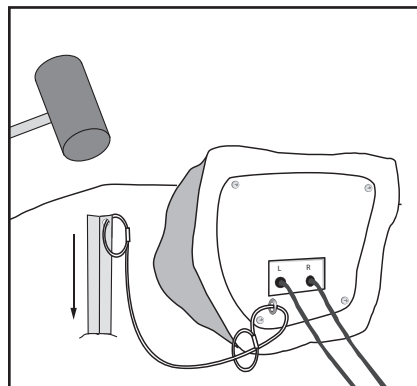


Figure 7d. Planter le piquet dans le sol

Raccorder 2-canaux d'amplification (Gauche et Droit) à une seule enceinte (figure 5)

Avec cette méthode de raccordement, 2-canaux d'amplification (canal-gauche et canal-droit) sont raccordés à une seule enceinte pour obtenir un son stéréo.

1. Raccorder un canal d'enceinte à la fois à votre récepteur/amplificateur. Raccorder la borne d'amplificateur droite (+) à la borne d'enceinte rouge (+) et la borne d'amplificateur droite (-) à la borne d'enceinte droite noire (-).
2. Raccorder la borne d'amplificateur gauche (+) à la borne d'enceinte rouge (+) la borne d'amplificateur gauche (-) à la borne d'enceinte gauche noire (-).
3. Torsader les fils ensemble, puis les recouvrir d'un serre-fil.
4. Fill wire nuts with silicone.
5. Le câble d'enceinte peut maintenant être enterré, au besoin.

Raccorder 1-canal d'amplification (Gauche OU Droit) à une seule enceinte (figure 6)

Avec cette méthode de raccordement, les bornes des enceintes seront rassemblées afin que toute l'enceinte puisse être poussée à partir d'un canal d'amplification (Gauche OU droit).

1. Raccorder la borne d'amplificateur (+) aux bornes d'enceinte droite rouge ET gauche rouge (+).
2. Raccorder la borne d'amplificateur (-) aux bornes d'enceinte Droite noir ET Gauche noir (-).
3. Torsader les fils ensemble, puis les recouvrir d'un serre-fil.
4. Remplir les serre-fils de silicone.
5. Le câble d'enceinte peut maintenant être enterré, au besoin.

Installation du piquet et du câble de sécurité (facultative)

1. Sans trop déplacer l'enceinte, la tourner de façon que la base pointe vers soi (figure 7a).
2. Faire passer l'extrémité en boucle du câble de sécurité (l'extrémité qui n'est pas attachée au piquet) dans l'œillet prévu à cette fin sur la base de l'enceinte (figure 7b).
3. Faire passer par la boucle le piquet et le câble qui y est attaché (figure 7c).
4. Tirer légèrement sur le câble jusqu'à ce qu'il soit bien ajusté autour de l'œillet.
5. À l'aide d'un maillet en caoutchouc, planter le piquet droit dans le sol près de l'endroit où l'enceinte sera placée. Il doit être complètement enseveli. Tirer légèrement sur le câble pour s'assurer que le piquet est fermement planté dans le sol (figure 7d).

Foire aux questions

Comment dois-je nettoyer mes enceintes? Consultez la section « Nettoyer et protéger votre investissement » à la page 3 de ce manuel.

Quelle taille d'amplificateur dois-je utiliser? Nous recommandons un amplificateur homologué dans la gamme d'amplificateur approprié pour votre enceinte.

Pouvez-vous me proposer une liste d'appareils électroniques et de câbles qui conviennent aux enceintes MartinLogan? Les questions relatives aux appareils électroniques et aux câbles sont probablement celles que nous recevons le plus souvent. Et ce sont les plus subjectives. Souvent, certaines marques fonctionnent bien dans une configuration et donnent de piètres résultats dans une autre. Nous utilisons de nombreuses marques avec d'excellents résultats. Encore une fois, nous n'avons pas de produits préférés; nous utilisons les appareils électroniques et les câbles de façon assez interchangeable. Nous vous proposons d'écouter plusieurs marques et surtout, de faire confiance à votre ouïe. Les revendeurs sont toujours la meilleure source de renseignements lorsque vous achetez de l'équipement audio ou des câbles supplémentaires et connaissent bien les exigences de sécurité pour les câbles dans le mur.

Est-ce que l'exposition à la lumière solaire nuira au rendement ou à la durée de vie de mes enceintes? Nous recommandons de ne pas exposer les enceintes directement à la lumière solaire. Les rayons ultraviolets (UV) du soleil peuvent entraîner la détérioration des cônes de l'enceinte, etc. Pour une installation extérieure des enceintes, nous recommandons de choisir un endroit exposé le moins possible à la lumière solaire.

Dépannage

Aucune sortie

- Vérifiez que toutes les composantes du système sont allumées, pas en sourdine, et que le contrôle d'équilibrage (le cas échéant) est réglé de façon appropriée.
- Assurez-vous que la prise murale fonctionne.
- Vérifiez les cordons d'alimentation, les câbles d'enceinte et les câbles d'interconnexion.
- Assurez-vous qu'aucun casque d'écoute n'est branché.
- Échangez les câbles d'enceinte vers l'amplificateur avec ceux d'une enceinte qui fonctionne bien. Si l'absence de sortie est transmise à une autre enceinte, le problème pourrait être lié à un autre équipement de votre système (amplificateur, préamplificateur, processeur, etc.).
- Essayez de brancher un autre ensemble d'enceintes. L'absence de sortie peut être due à un problème avec une autre composante de votre système (amplificateur, préamplificateur, processeur, etc.)

Manque de graves ou mauvaise image

- Vérifiez les câbles d'enceinte. Est-ce que la polarité est correcte — (+) à (+) et (-) à (-)?

Spécifications

Modèle d'enceinte	ML-65r	ML-75r
Réponse de fréquence du système.	66–20,000 kHz \pm 2 dB	63–20,000 kHz \pm 2 dB
Sensibilité.	89dB	90dB
Impédance Mode stéréo	Compatible avec 8 ohms	Compatible avec 8 ohms
Mode mono.	Compatible avec 4 ohms	Compatible avec 4 ohms
Fréquence de raccord . . .	3,000 kHz	2,500 kHz
Haut-parleur haute fréquence.	Deux dômes en titane de 1 po (2,5cm)	Deux dômes en titane de 1 po (2,5cm)
Haut-parleur basse fréquence.	Cône en polypropylène de 6,5 po (16,5 cm) rempli de matière minérale avec bobine double	Cône en polypropylène de 7,5 po (19 cm) rempli de matière minérale avec bobine double
Entrées	Deux paires de câbles préinstallés	Deux paires de câbles préinstallés
Intervalle amplificateur approprié Mode stéréo	15 à 100 watts	15 à 100 watts
Mode mono.	15 à 55 watts	15 à 55 watts
Puissance nominale maximale Mode stéréo	70 watts	80 watts
Mode mono.	35 watts	40 watts
Weight.	12,1 lb chacun (5,5 kg)	17 lb chacun (7,7 kg)
Dimensions (h x l x p) . . .	12 3/16 x 11 1/8 x 10 5/8 po (31 x 28,2 x 27cm)	15 3/16 x 13 3/8 x 13 po (38,5 x 34 x 33cm)

*Les spécifications peuvent changer sans préavis.

Garantie

MartinLogan offre l'enregistrement en ligne à la garantie à l'adresse www.martinlogan.com.

Vos enceintes sont vendues avec une garantie limitée automatique de 90 jours.

Vous avez la possibilité d'obtenir, sans frais supplémentaires, une garantie limitée de deux ans. Pour obtenir la garantie limitée de deux ans, enregistrez vos enceintes à l'adresse www.martinlogan.com. Veuillez conserver une copie du reçu du revendeur, car on pourrait vous le demander pour effectuer les réparations.

MartinLogan pourrait ne pas honorer les réclamations de service au titre de la garantie à moins d'avoir une carte d'enregistrement à la garantie dûment remplie à l'adresse www.MartinLogan.com!

Service

Si vous utilisez votre produit MartinLogan dans un pays autre que celui où il a été acheté à l'origine, nous vous demandons de noter ce qui suit :

- 1 Le distributeur MartinLogan désigné pour tout pays donné est responsable du service au titre de la garantie uniquement pour les appareils distribués par ce pays ou par l'entremise de celui-ci conformément à sa garantie applicable.
- 2 Si un produit MartinLogan doit faire l'objet de réparations (service) dans un pays autre que celui où il a été acheté à l'origine, l'utilisateur final peut faire réparer le produit chez le distributeur MartinLogan le plus proche, sous réserve des politiques de service locales de ce distributeur, mais tous les coûts des réparations (pièces, main-d'œuvre et transport) seront assumés par le propriétaire du produit MartinLogan.
- 3 Si, après avoir possédé l'enceinte pendant six mois, vous déménagez dans un pays autre que celui où vous avez acheté l'enceinte, votre garantie peut être transférable. Communiquez avec MartinLogan pour obtenir tous les détails.

Notes

SÉRIE INSTALLER

par **MARTIN LOGAN**®

Lawrence, Kansas, USA tél 785.749.0133 www.martinlogan.com
©2011 MartinLogan. Tous droits réservés.

Rev. #041511